

## User manual



### Chat

Van Raam  
Guldenweg 23  
7051 HT Varsseveld, The Netherlands

☎ +31 (0)315 – 25 73 70

✉ [info@vanraam.com](mailto:info@vanraam.com)

🌐 [www.vanraam.com](http://www.vanraam.com)

Version 24.07



# Table of contents

Manufacturer contact details.....	3
Conformity Europe (CE).....	3
Conformity UK (UKCA).....	3
Introduction.....	4
Delivery.....	4
Indication.....	4
Intended usage.....	5
Safety measures.....	5
Adjustment of the trishaw.....	7
Before the first use.....	10
Electro system Silent.....	18
Van Raam e-bike app.....	28
Accessories.....	29
Technical specification.....	32
Maintenance and adjustments by owner.....	33
Repair and maintenance by your dealer.....	35
Adjustments by dealer.....	36
Disposal.....	37
Handover/sale to a new owner.....	37
Guarantee.....	38
Frame number.....	39
Maintenance recommendation.....	40
Service plan.....	42
Delivery and service form.....	47

## Manufacturer contact details

Van Raam

Guldenweg 23

7051 HT Varsseveld, The Netherlands

☎ +31 (0)315 – 25 73 70

✉ info@vanraam.com

🌐 www.vanraam.com

## Conformity Europe (CE)

Van Raam Reha Bikes B.V., as manufacturer, declares that the Chat, as described in this user manual, is manufactured in accordance with Regulation (EU) 2017/745, risk class 1. The Chat supplied with the Silent electrical system also complies with Directive 2006/42/EC including the applicable parts of EMC Directive 2014/30/EU and the NEN-EN 15194:2017 Bicycles - Electric supporting bicycles - EPAC Bicycles - part 4.2 Electrical requirements. The signed declaration of conformity can be found on the Van Raam website.

## Conformity UK (UKCA)

Van Raam Reha Bikes B.V. as manufacturer declares that the Chat, as described in this user manual, is manufactured in accordance with the "Essential Requirements of Medical Devices Regulation 2002" (UK MDR 2002 Class 1 Medical Devices). The Chat supplied with the Silent electrical system also complies with the "Machinery (Safety) Directive SI 2008/1597" including the applicable parts of "Electro Magnetic Compatibility Regulations SI 2016/1091" and the NEN-EN 15194:2017 Bicycles - Electric support bicycles - EPAC Bicycles - part 4.2 Electrical requirements. The Chat is provided with UKCA label according to "EU Exit Regulations 2020/1478". The signed declaration of conformity can be found on the Van Raam website.

## Introduction

This user manual provides important and necessary information about the use of your trishaw. We ask you to read this manual thoroughly before using the trishaw. Always follow the instructions as provided in this user manual and keep the manual carefully. The most current version of the user manual can be found on the product page of the bicycle on the website [www.vanraam.com](http://www.vanraam.com).



**READ CAREFULLY**

## Delivery

Your delivery should include the following:

- Trishaw with packaging
- User manual(s)
- Possible Smart-battery including card with 5-digit code (depending on options)
- Possible chargers (depending on options)
- (Spare) keys

Check the delivery immediately after receiving it. In case of damage or incomplete delivery we ask you to contact your dealer immediately. Upon delivery you should fill out the form "Form service, maintenance, modifications a warranty claims" in the back of this manual.

## Indication

The Chat is meant for cycling together with children or adults.

## Intended usage

The trishaw has been designed for normal use on a flat, solid surface (do not use the trishaw off-road). General trishaw-caution should always be observed when using the trishaw. Moreover, the safety instructions as described in this manual should be explicitly followed. Local traffic laws and regulations should also be observed.

The trishaw is suitable for cycling together, with one driver (maximum 120 kg) and the passengers (maximum combined weight of 200 kg). The driver must be physically fit and should not have any serious visual impairment or other disability that may negatively affect the operation of the bike. The bike is not made for the transportation of goods.

The manufacturer is not responsible for any damage or injury caused as a result of or during the course of any other type of use.

## Safety measures

- Ensure the trishaw is in good condition each time before using it. Check before **each** ride that the brakes are in order. Check the lighting and make sure there is enough tyre pressure. Please note, your bike tires are equipped with car-type air valves.
- We recommend always having a First Aid Kit present on the bike and having a way to call for help in case of emergencies, for example a mobile phone.
- Never leave the bike unattended with passengers on the bike.
- The use of a seatbelt by passengers is mandatory. If one of the seatbelts is defective, have it repaired at your dealer as soon as possible.
- Regularly check if the wheels, the handlebars and the saddle are properly fixed and also whether all screw joints are tight.
- Only use the trishaw on a **solid and level surface** (or: not for off-road use).
- It is not recommended to cycle on a slope steeper than 10%, this carries an increased risk.
- A trishaw is sensitive to tipping when riding across a speed bump. Therefore, it is important to always drive straight towards a speed bump.
- Always drive perpendicularly and at low speed off the curb or speed bump.

- Make sure that wide trousers or loose hanging clothing don't get caught in the chain, spokes or pedals.
- Block the trishaw to stop it from moving when you are getting on or off the trishaw. Do this by using the parking brake and holding the trishaw.
- Always lock the trishaw when leaving it unattended.
- The trishaw is specifically designed to perform best when carrying passengers; avoid cycling without a passenger as much as possible. The trishaw will behave differently, which may lead to instability.
- While riding as a passenger, **never** place your feet underneath or beside the footrest. You may get hit by moving parts and incur bruising.
- Make sure that you do not reach a dangerous speed when driving downhill and entering tunnels. Brake in time and bike at a moderate speed.
- Please note, when pedalling the trishaw that the front has a small blind spot where you do not always have an optimal view.
- The bike is not made to transport goods, this may negatively affect steering.
- Exercise more care if the driver or any passenger is pregnant, owing to a higher risk of injury.
- Do not leave the trishaw in direct sunlight: the temperature of some parts could exceed 41°C resulting in possible burns to the skin.
- Your trishaw is equipped with the Silent electric motor system, make sure that you get used to riding with the electric support engaged. Be careful when you turn on the electric support system and make sure you don't get startled by unexpected behaviour because you turned on the electric support.

## Load

The maximum load should not be exceeded. See the information in the technical data table in the '**Technical Specifications**' section of the user manual. The permitted load refers to the total load, including the load in the baggage compartment and on the baggage carrier.

Make sure that the permitted load on the luggage is not exceeded. (**maximum** 20 kg). People may not be transported on the rear luggage rack.

## Damaged or worn out parts

The replacement and repair of parts (frame, forks, light, brakes, drive mechanism and the handlebars) should **always** be performed by an authorised dealer. If not, the guarantee ceases to be valid and you will be personally responsible in the event of possible damage.



Specific safety parts should **always** be replaced by new parts!

## Adjustment of the trishaw

Before using the trishaw, adjust its height to the height of the rider. This is of essential importance, especially with regard to the, saddle, handlebars and seat.



*If an optimum setup with specified instructions is not possible you can contact your dealer for a suitable solution.*

The brakes are always properly adjusted and may only be adjusted during regular maintenance by your dealer.



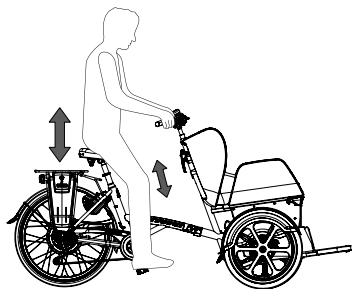
Take care that fingers and limbs do not get trapped while adjusting the trishaw.

## Saddle Height

You can correctly set the saddle height by sitting on the bike and placing your foot on the pedal in the lowest position. Make sure your leg is stretched, yet still relaxed.

To adjust the saddle:

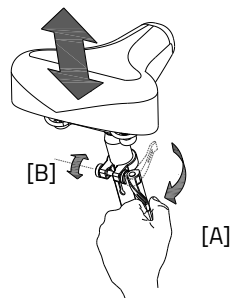
1. Open the quick-clamp [A].
2. Slide the saddle to the correct height.
3. Close the quick-clamp.



*Make sure clothing cannot get caught in the clamp!*



*If the clamp closes too easily, the clamping force is too low. In this case, open the clamp and tighten the nut [B] a bit more. If a lot of force is necessary to close the clamp, the nut should be loosened slightly.*



Don't **pull out** the seat post further than the markings. If you do so, the tube won't be inserted deep enough into the shaft, increasing the risk of breakage, which may lead to serious injuries.



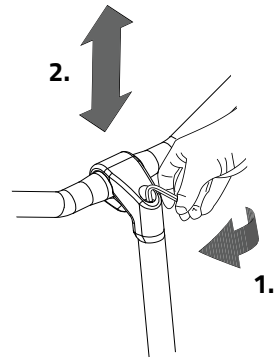


## Handlebars height

The height of the handlebars greatly influences ride comfort. It determines the pressure on the hands and posture of the back. You decide the most comfortable position yourself with some practice.

To adjust the handlebar:

1. Loosen the screw with an Allen key.
2. Slide the handlebars stem to the desired height and then firmly tighten the screw.

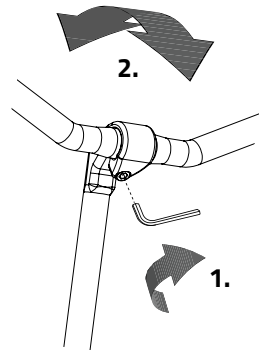


## Steering Position

You can tilt the handlebar. This affects the distance from the handlebars to the upper body. Feel free to determine what setting is most comfortable for you.

To tilt the handlebar:

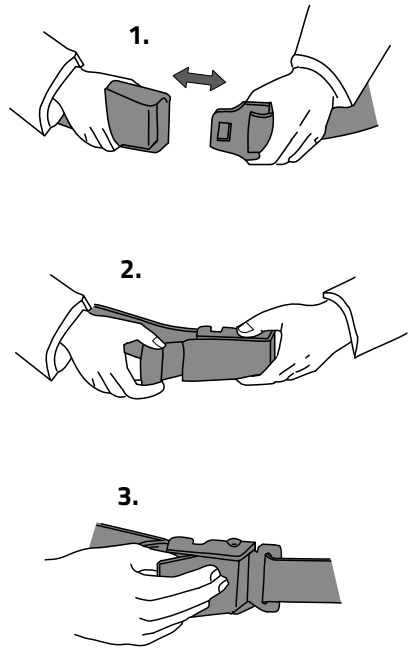
1. Loosen the screw using an Allen key.
2. Place the handlebars in the desired position and firmly tighten the screw.



## Passenger hip belt

Use the hip belt when you go cycling. Place the belt around the body of the passenger and adjust the length of the belt for the individual.

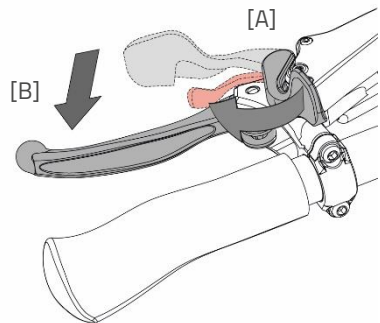
1. Fasten the metal fittings together.
2. Adjust them by pulling the loose end of the belt.
3. To remove the belt, lift the top part of the buckle and disconnect the fittings.



## Before the first use

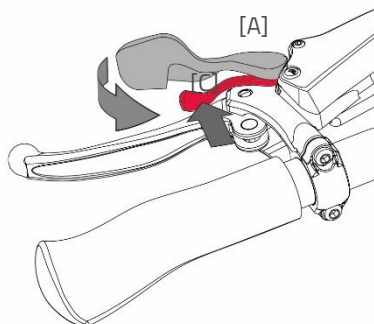
### Parking brake

Make sure to always use the hydraulic parking brake when allowing passengers to get in and out and when parking the bike.



To activate the parking brake, first turn the parking brake lever [A] forward. Then, the brake lever [B] must be pressed until the parking brake is activated. Press the lever until it can no longer move; at that moment, you will hear a click.

To deactivate the parking brake, push the red lever [C] towards the parking brake lever [A]. Then turn both levers back. This action will immediately unlock the handbrake.



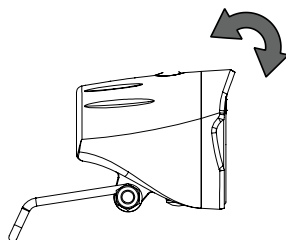
Always try to park the bike on a horizontal surface. The bike should never be parked on a slope steeper than 6 degrees.

### Centrally operated lighting

The bike is fitted with centrally operated lighting whereby the lighting is connected to the electronic system.

The lighting automatically turns on when the electronic system is activated.

Adjust the angle of the front light so that the centre of the light beam is located approximately ten metres in front of the trishaw.



You can switch the lighting on and off manually by briefly pressing the on/off button on the display or by using the button on the lighting. If the electronic system is switched off, the lighting automatically switches off.



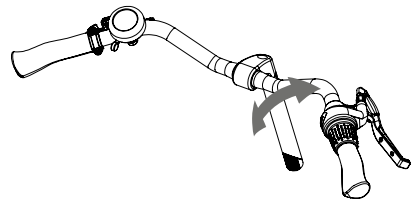
*When cycling in the dark, make sure there is always a battery present on the bike!*

When the battery is almost empty, the motor will no longer provide support while cycling. However, the switchable lighting will still work on the residual power.

## Gears

Your trishaw has eight gears. The gears can be adjusted by turning the handle.

Your trishaw has an electric motor at the rear, you must **continue pedalling** when changing gears.



**Please note!** Do not shift gears and then paddle backwards. This could cause the chain to run off the sprocket.

## Footrest

For optimal accessibility when passengers are getting on and off the bike, you may lower the footrest.



Always lower the footrest when getting your passengers on and off the bike to prevent the bike from tipping over.

To operate the footrest, follow the steps below:

1. Set the parking brake by pinching the left brake [A] and securing the brake with the handle [B].
2. Lower the footrest control pedal by pressing down on the tab marked "PUSH".
3. Remove the safety pin securing the handle.
4. Press down on the footrest control pedal with your foot and pull the handle up so the footrest unlocks. You can **slowly** lower the footrest by providing counter-pressure with your foot on the footrest control pedal when you lift your foot.

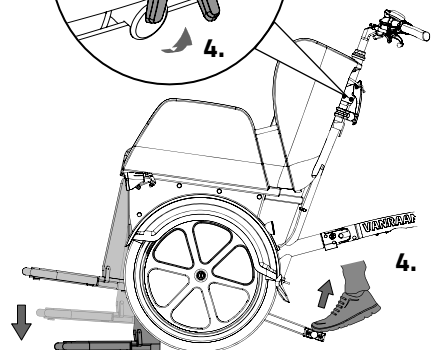
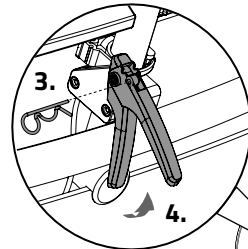
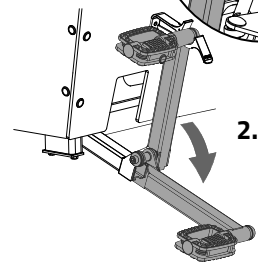
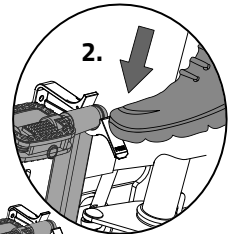
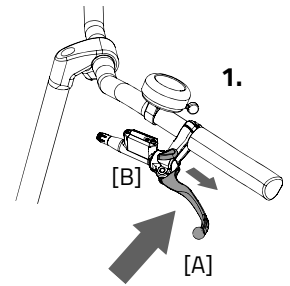


**Please note!** If the passengers are already seated, warn the passenger before unlocking the footrest.

5. Have the passengers take their place on the bike and secure the seatbelt around the passengers.



Place legs and feet inside the footrest space so limbs do not get trapped!



- To lift the footrest, place your foot on the control pedal and **slowly** press the pedal down until it locks and you can hear a 'click'.



**Please note!** Warn your passengers before you lift the footrest.

- Place the footrest control pedal back into the brace.
- Finally, place the safety pin back in the link in the handle.

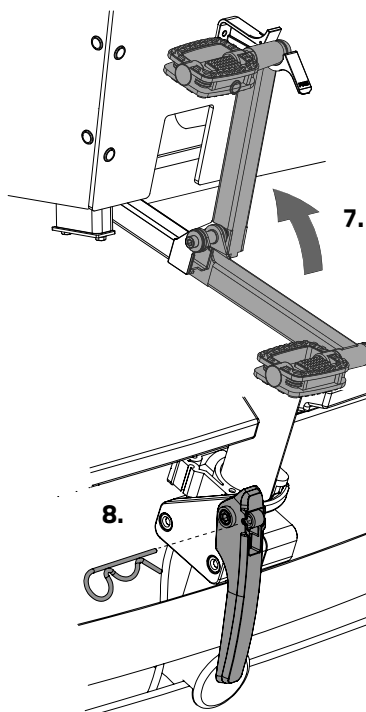
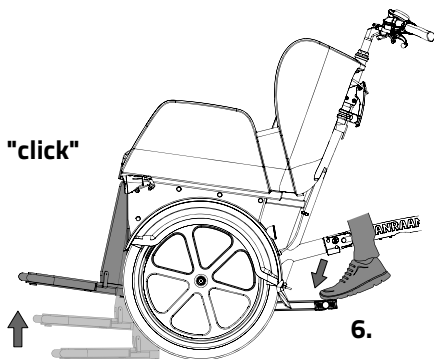


Only use the footrest when standing still.



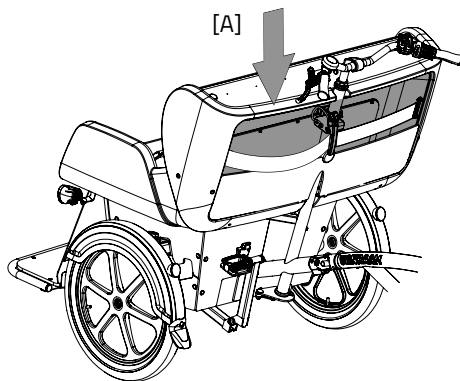
The footplate is only intended to support the passengers' feet. Do not load heavy objects on the footrest and don't stand on it while the footplate is raised.

"click"

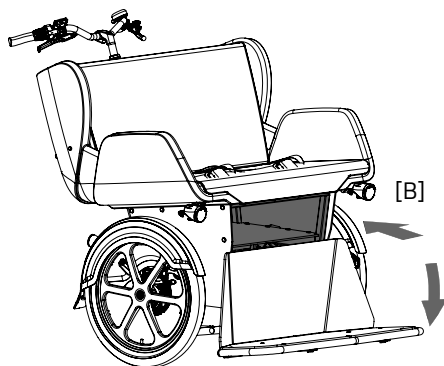


## Baggage space

On the back of the seat there is a baggage compartment [A].

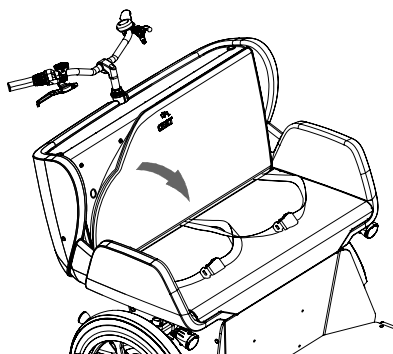


At the front, beneath the seat, there is also a baggage compartment [B]. You can access this baggage compartment by lowering the footrest.



## Seat cushion

The seat cushion is water resistant. Remove the cushion from the bike when you park the bike and leave it unattended.



## Before every ride check:

- The brakes (including the parking brake)
- The tyre pressure
- The lighting
- That all parts are secure
- That the battery is sufficiently charged

Contact your dealer and never use your bike if you notice any irregularities.

As is the case with all mechanical parts, the trishaw is subject to wear and high loads. If a component fails, this may lead to very dangerous situations and damage or injury to the trishaw or user. Any form of cracks, scratches or change of colour in heavily loaded parts of a component is an indication that the part must be replaced.

## Points of attention while cycling

Once you've set up the bike on the basis of the rider and passenger's size you can start using the bike.



Your trishaw is a tricycle. The experience of riding a tricycle is completely different from riding a bicycle with two wheels!

Practice, in particular, with bends and braking, because a trishaw can react contrary to what you would expect. It may happen that the back wheel comes off the ground on the inside when going round a bend. To avoid this, the rider leans towards the inside of the bend with his body.

One of the brake levers (usually the right) operates the brake on the front wheel. This deserves special caution, as a forceful braking could cause the front wheel to stop suddenly and skid, which could result in a fall. The driver should be familiar with controlled braking of the front wheel!





If there is an electric motor on a bike: you must train with the acceleration function and reverse functions. Be careful that the acceleration mode or reverse mode are not unintentionally started while using the bike. For example, at traffic lights the reverse function can accidentally be activated and the trishaw reverses.



High speeds in the bends, driving on rough ground, and sharp bends can lead to the trishaw **falling over!**



The trishaw will behave differently when cycling without a passenger. Try this very carefully the first time!

### Important safety precautions for the rider

- Make sure you ride with extreme caution when first using the bike.
- While riding, keep both hands firmly on the handlebars and your feet on the pedals.
- Test the bike's behaviour at an appropriate speed on uneven surfaces. In doing so, you will learn how to respond to unexpected movement of the bike and handlebars.
- Explore how the tilting movement of the trishaw reacts to your posture. Always lean towards the inside of a bend.
- Small obstacles must be traversed at appropriate speeds.
- Obstacles higher than five centimetres (or two inches) must be avoided.
- Please note that the front has a small blind spot where you do always not have an optimal view.
- Make sure not to ride at dangerous speeds when riding downhill. Brake in time and bike at a moderate speed.

## Electro system Silent

Item number: -2195

The Silent electrical system comprises 5 components: display, button unit, battery, motor and bottom bracket. How the first 3 parts are used is explained in this user manual.

### Operation of the display

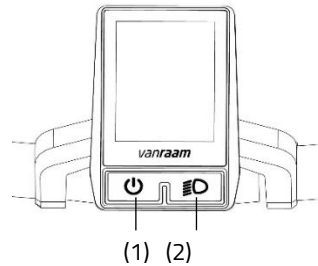
The display provides you with cycling information, which will be explained in more detail later. The display is mounted onto the handlebars by means of a bracket. The display cannot and does not have to be removed when leaving the bike.

(1) On/off

This button switches the electrical system on.

(2) Bicycle lights

The lights on the bicycle switch on automatically when the electrical system is switched on. By pressing this button briefly, the lights can be switched off (and on).



### Operation of the button unit

The button unit is mounted next to the handlebar grip. You use the button unit to operate the electrical system.



*The button unit can be mounted on the other side of the handlebars by your dealer.*

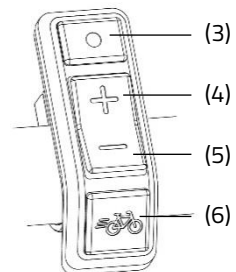
(3) Mode

By pressing this button briefly, you can switch between the different Screen modes.

(4) Plus - Increase pedal support power assistance

(5) Minus - Reduce pedal support power assistance

(6) starting aid

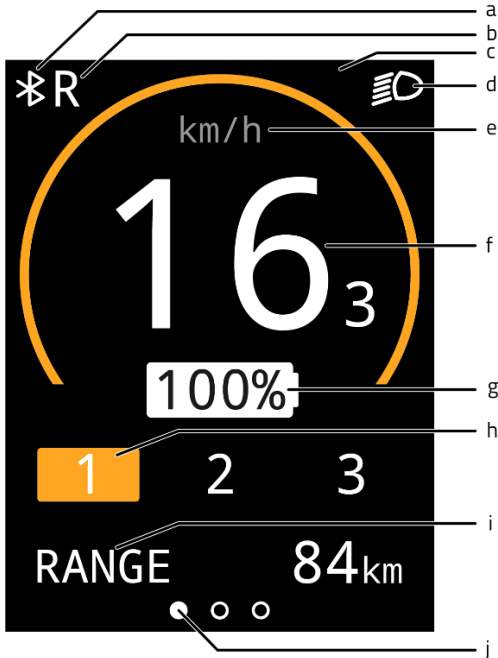


## Information screen

After the electrical system is powered up, the information screen is displayed. This screen displays real-time cycling information.



*The information screen will only work if you have switched on the electrical system.*



- (a) Bluetooth connection
- (b) Reverse function of (thumb) throttle activated
- (c) Notification field
- (d) Bicycle lights
- (e) Speed indicator
- (f) Speed
- (g) Battery charge percentage
- (h) Assistance mode
- (i) Screen modes
- (j) Screen mode orientation bar

## Screen modes

The screen mode (i) can be set by using the mode button (3) You can switch between the following 3 screen modes while cycling.

1. Radius of action [RANGE] (default display)  
This is the number of kilometres that can still be cycled with the remaining battery capacity in the active assistance mode.



*The range is assistance mode dependent and is an estimate, so the actual range may differ from the estimate. The range is dependent on several factors. Among others, the range is influenced by: battery capacity, amount of assistance, tyre pressure, ride speed, rider weight and load, and the environment.*

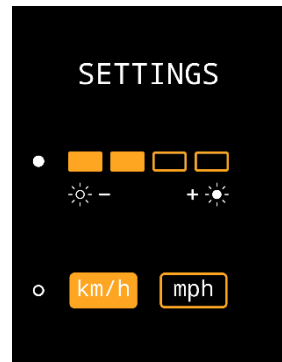
2. Trip distance [TRIP]  
This is the distance travelled since the trip odometer was last reset. By holding down the mode button for one second, the trip odometer can be reset to 0.
3. Total distance [TOTAL]  
This is the total distance travelled by the bicycle when the electrical system has been switched on.



## Settings screen








In the settings screen, the brightness of the display and the units of distance and speed can be changed.

To access the settings screen, the mode button (3) and the plus button (4) should be pressed down simultaneously for one second. Using the mode button (3), you can switch between the settings. The plus and minus buttons (4,5) are used to adjust the setting. To exit the setting screen, press and hold the mode button (3) for one second.



## Notifications

Several symbols can be displayed in the information screen. The symbols are explained below. More information on the notifications can be found in the chapter **"Possible Faults"**.

-  The bicycle lights are activated
-  A Bluetooth connection is active
-  No communications with the battery
-  Reverse function of (thumb) throttle is activated
-  The temperature of the controller is too high
-  Voltage is too high
-  Fault

## Pedal support power assistance

The Silent electrical system provides assistance while cycling.

### Starting aid

With the starting aid, pedal assistance is activated up to a speed of 6 km/h, without having to pedal yourself. To do this, press and hold down the starting aid button (6). If the button is pressed again, the function is reactivated.

If you press the starting aid button while cycling, you will get a "boost". This boost will have the same maximum speed as the bike. The activated pedal assistance mode determines the degree of assistance of the starting aid and the "boost".

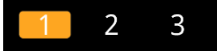
The starting aid button can be used for:

- Extra assistance when starting off (starting aid).
- Extra assistance when cycling uphill (boost).

## Assistance settings

The pedal assistance level can be set using assistance settings 1, 2 and 3. The assistance settings can be changed while cycling.

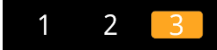
1. Low level of assistance, maximum range.



2. Average support, average range.



3. Maximum support, low range.



## Reverse pedalling

The reverse function is activated by pedalling backwards from a stationary position. After a few turns of the wheel, the motor is activated and the bicycle will reverse at the speed of 3 km/h for as long as it is pedalled backwards.



Do not let the electric motor's sudden behaviour take you by surprise. For example, if you wait at the traffic lights and pedal backwards just for fun, the reverse function will be activated and the bike will start riding backwards!

## Presets

A preset is a set of settings which sets the level of assistance. By loading a different preset, the level of assistance for all assistance settings can be adjusted. Presets can be changed by the dealer or through the Van Raam app.

## Van Raam E-Bike app

With the app, you can track various information and configure the assistance modes. (More information on this can be found in the chapter on the Van Raam E-Bike app)

## Charging the Battery

For the best performance and to prolong the life of the battery, we recommend that you charge the battery at home at room temperature.



Only use the charger if the temperature of the environment is between 0 and 35 degrees centigrade.

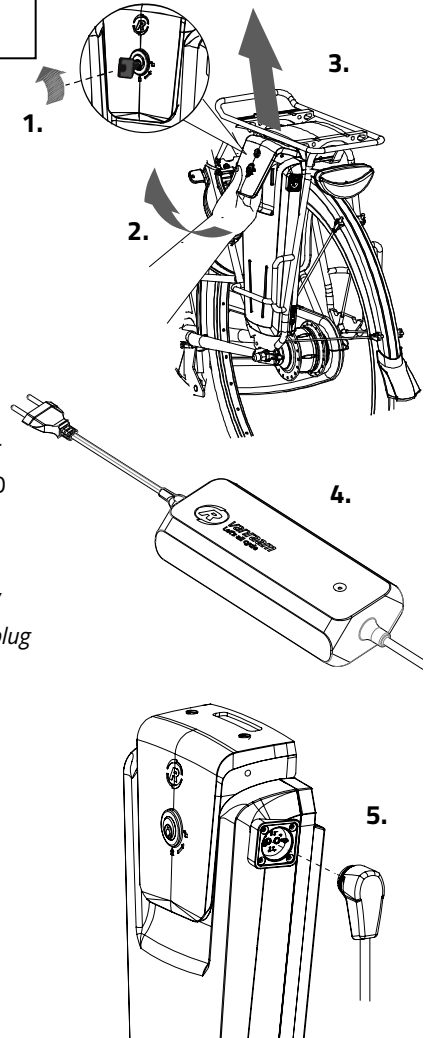
To charge the battery:

1. Unlock the battery by turning the key a quarter.
2. Pull the handle forward.
3. Take the battery pack from the holder.
4. Take the battery pack inside. **First** plug the charger into the socket. The green LED will light up. The charger is now on standby.
5. **Then** insert the charging connector of the charger into the charging point of the battery. The red LED will light up. The charger is now charging.



**Please note!** If the battery is not connected properly, the green LED will light up (standby mode). If the connection is poor, unplug the plug from the socket and clean the charger's connector with a dry cloth.

6. Depending on the battery level, the charging time is about 2,5 hours with a 13,6 Ah/36 V battery.
7. Once the battery is fully charged, the green LED will be solid. Now **first** remove the charging connector of the charger from the connector of the battery.

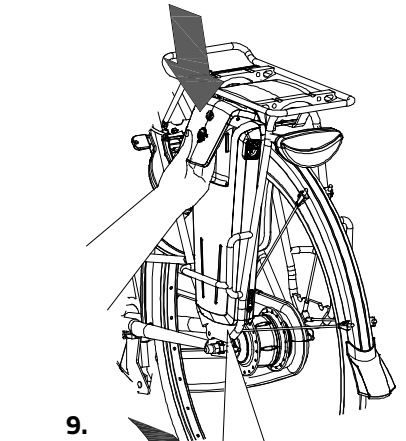


8. **Then** unplug the charger from the socket.
9. Put the battery back in the holder of the cycle. Slide it behind bar [A] and press it firmly on strip [B].
10. Pull the handle backwards and push the top of the battery to connect as shown in the drawing and close the lock.
11. Push the handle forward and close the lock.

It is also possible to charge the battery while it is still in the holder.



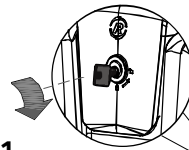
Do not wait until the battery is completely empty to charge it. It is better to recharge the battery interim.



9.

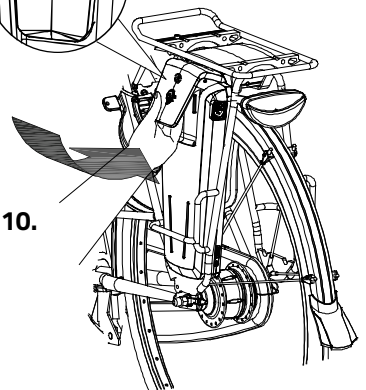
[A]

[B]



11.

10.







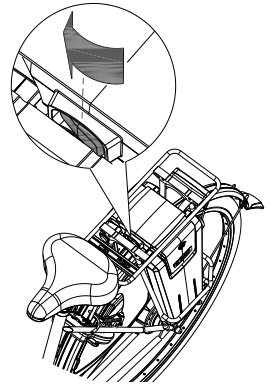
When the system is not used, it will automatically turn off after a certain time.



Always turn off the electric system before getting on and off the bike, and when you are walking while holding the bike.



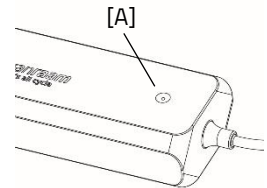
Make sure that the switch under the luggage carrier is always pressed to the side where the battery is located. Note that with some models the battery switch has a middle (neutral) position as well. That means the battery is switched off.



### Charger indicator light

The status of the charger is indicated by the coloured indicator light.

- If the indicator light is green, the charger is in standby mode or the battery is full.
- If the indicator light is red then the charger is charging the battery.
- ⊘ If the indicator light flashes red then the charger is in safety mode.



**Caution!** Unplug the charger from the power outlet.



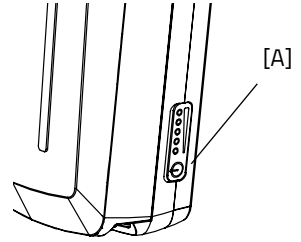
Only use the charger when the ambient temperature is between 0 and 35 C.



It is better for the battery to be charged periodically instead of waiting until it is completely empty.

## Battery indicator lights

On the battery pack there is an LED indicator to check the battery charge status. The battery charge status can be read by briefly pressing the on/off button [A]. While the battery is being charged, the indicator shows the charging progress:



The battery is fully charged. When the battery is used, the number of green lamps will decrease.



If two green lamps are lit, the battery is 50% charged.



If only the left LED remains green, the battery is almost empty and needs to be recharged or replaced with a charged battery.



If the left LED starts blinking green, the battery is empty and the motor will not support cycling for much longer. However, the switchable lighting will still work after that.



Never put the bike away with an empty battery.

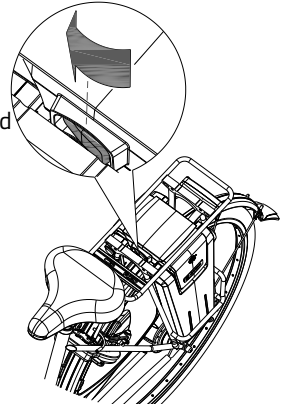
Charger:

LED indication	Status
Green	Standby
Red	Charging
Green	Battery full
Red, blinking	Safety: Polarity inversion; Short; Over temperature; Over power; Over voltage

## Backup battery (optional)

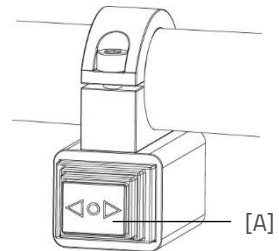
The bike can be supplied with a second battery.

To activate the second battery (when the first battery is empty), turn the switch under the luggage carrier to the side of the second battery.



## Direction Indicator

The bike can be equipped with a direction indicator. To operate the direction indicators, press switch [A] on the handlebar to the left or right. When the direction indicator is active, a clicking sound can be heard. To deactivate the direction indicator, you need to set the button to the middle position. The direction indicator is powered by the battery of the Silent Electric System.



*Please note that the turn signal can only be activated when the bicycle's lighting is turned on.*

## Van Raam e-bike app

The Van Raam bicycle app is a free smartphone app that you can use while cycling on your electric Van Raam bicycle.

### What can you do with the Van Raam e-bike app?

- App can be used as a luxury bicycle computer
- Change bike settings
- Send SOS messages with GPS location to a number of your choice
- View information about the bike

### How does the Van Raam e-bike app work?

With the Van Raam e-bike app, a connection can be made with the display via Bluetooth connection. As soon as the display is ready to connect to the smartphone, the on/off button will briefly turn blue.

This app can be used as a luxury bicycle computer for Van Raam bicycles with pedal assistance and also contains many other extra functionalities. The dashboard on the app shows the current speed, total distance, trip meter, battery capacity and power consumption during the bike ride. For more cycling data, there is a details screen including average speed, maximum speed, total distance, power, battery voltage, pedaling power and pedaling frequency.

The Van Raam e-bike app can be downloaded free of charge from the **Google Play Store** or **Apple App Store**.

For more information about the Van Raam e-bike app, you can visit the Van Raam website: [www.vanraam.com](http://www.vanraam.com).



## Accessories

Depending on your order, you can use the accessories described below. Additional accessories are available from your dealer.

### Canopy

The canopy offers passengers protection from sun, rain, and wind. The material is water resistant.



**Please note!** Make sure the canopy is tensioned correctly before you start cycling.



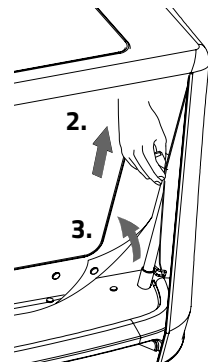
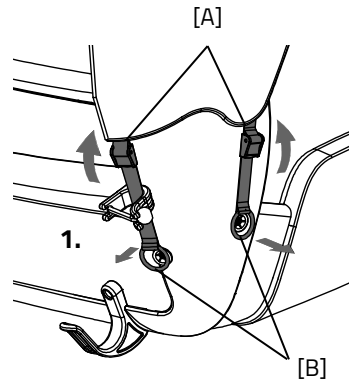
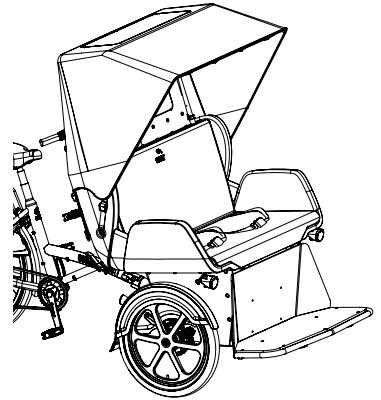
Make sure fingers and other limbs do not get trapped when securing the canopy.



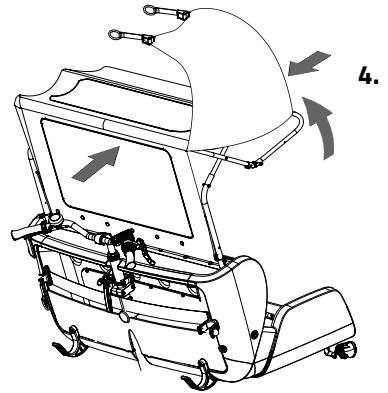
Be aware that as a driver, your view is reduced when the canopy is unfolded.

The canopy can be easily folded and stored by following the steps below:

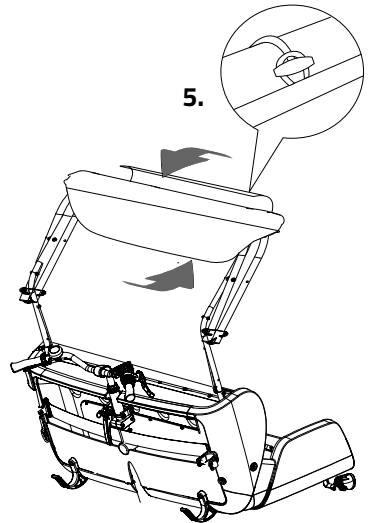
1. Relax the four belts by opening the buckles [A]. Then remove the rings [B] from the cams.
2. Zip open the back flap of the canopy.
3. Hold the front of the canopy, so it cannot tip forwards and undo the pushbuttons on the back.



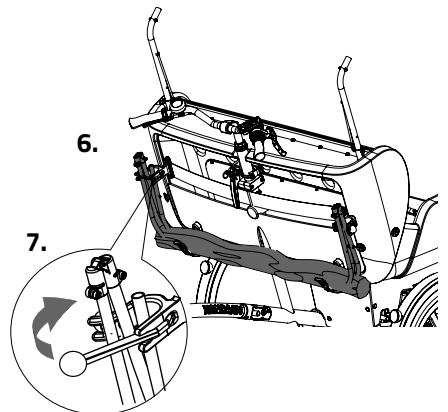
4. Place the side flaps on top of the canopy and fold the three canopy braces towards each other.



5. Fold the back flap around the poles to create a small package and secure it with the elastic band.

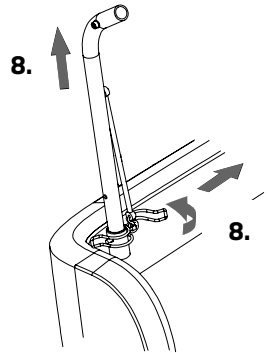


6. Remove the top part of the canopy construction and place this in the suspension hooks on the back of the seat.



7. Move the elastic around the poles on both sides.

8. Then remove the two retractable poles from the seat by opening the securing pin and removing them.
9. Place the poles in the baggage compartment on the back of the seat.



To attach the canopy again, follow the steps in the opposite direction.



If the canopy is wet from rain, let it dry first before folding and storing it.



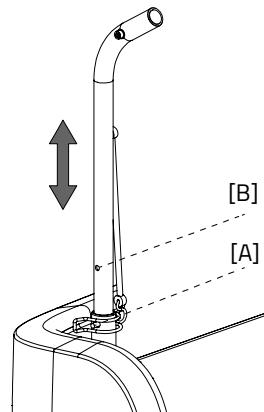
We do not recommend cycling with the canopy above wind speed four!



**Only** use the suspension hooks for hanging the canopy, do not suspend any other items from this.

The canopy is adjustable to two settings. Set the canopy to the length of your passengers.

For the tallest setting [A], set the securing pin to the bottom opening, as shown. For the lowest setting [B] move the curved poles down and set the securing pin to the top opening.



*First set the canopy to the desired height and then pull the canopy to tension.*

## Technical specification

Length (cm)	232
Width (cm)	111
Height (cm)	117
Mounting Height (cm)	45
Inseam Size (cm)	80-95
Seat width passengers (cm)	100
Front Wheel	20"
Rear Wheel	26"
Weight (kg)	approx 97
Max. Load Rear Carrier (kg)	20
Max. load of baggage compartment front (kg)	5
Max. load of baggage compartment back (kg)	5
Max. Weight Rider (kg)	120
Max. Weight Passenger (kg)	200
Brakes, front	Disc Brakes Hydro
Rear Brakes	Cantilever / Rim Brakes



## Maintenance and adjustments by owner

Below are some instructions for maintenance and adjustments that you can perform on a regular basis. This ensures an optimum condition of your bike.

### Cleaning

The frame of the trishaw can be cleaned with a damp cloth. For dirty spots it is recommended to use a mild detergent.

The wheels can be cleaned with a damp brush with plastic bristles (not a wire brush!). The saddle, handlebars and seat can be cleaned with mild soap and water.



Never use a high pressure or steam cleaner!

### Cleaning the upholstery

The upholstery of the seat is removable and may be cleaned. To do so, remove the upholstery from the cushions. You can wash the upholstery in the washing machine up to 40°C.

### Cleaning the cover

The cover can be cleaned with a wet cloth. You can use a mild cleaning agent for dirty spots. If the cover is wet, leave it to dry before folding and storing it!

## The right lubricant

The chain should be cleaned and maintained regularly (approx. once every three months). Only use special chain grease or Teflon spray. This is the only way to ensure that the chain moves smoothly, remains water-repellent and does not rust.

1. Clean the chain with a cloth.
2. Treat the chain with grease or spray.
3. Remove all abundant lubricants with a rag.

**Never** treat any of the other parts with lubricant.

## The correct tire pressure

Make sure there is enough air in the tires before every trip. Please note, your bike is fitted with car-type valves. The correct tire pressure is listed on the side of each tire.

## Inspection of the trishaw

It is necessary to have the bike inspected by a dealer at least once a year. This in order to extend your warranty claim. Please use the 'Service, Maintenance and Modifications Form' at the back of this manual when doing so. The first maintenance will be performed after the first 200 kilometres or two months.

In case of failure or defects, **immediately** bring the trishaw to the dealer for repair.

The replacement of safety-related components (i.e. frame, brakes, lights, handlebars, front fork and drive) must be done by your dealer.

If you choose to replace components by yourself, you will be liable for any damage or injury caused by improperly installed components.

Only use **original** Van Raam spare parts. You can purchase these from your dealer. Upon request, the dealer will provide the necessary information for repair and maintenance.

## Repair and maintenance by your dealer

During the maintenance session, check the brakes, wheels, lights, chain tension and spokes. Also check the tread depth of the tyres. This must be at least one millimetre. Worn tyres or defective parts must be replaced. Also check the operation of the parking brake. When the parking brake is active, the trishaw with rider may not move.

Finally, the front suspension must be checked. First check whether the bolts are secure. Subsequently check whether the spring does not allow any vertical play. If this is the case, it is necessary to take a closer look at this component.

### Inspection of the rims

Due to the interplay between both the brake and rims, both the condition of the brake lining and rims is important. For this reason, the rims must be regularly inspected (e.g. when pumping the tyre). The presence of fine cracks in the rim at the spoke nipples or deformation of the rim during elevated air pressure in the tyre, indicate greater wear and tear. In that case the rim must be replaced. If not, this may negatively impact the operation of the brakes or may even cause a break in the rim with all sorts of dangerous consequences.

Repairs, maintenance and modifications may only be performed with original Van Raam parts.

## Adjustments by dealer

### Setting the steering

In order to realise optimal steering behaviour and minimal tyre wear, the steering must be set correctly.

1. Loosen the left and right nuts of the steering shaft [A].

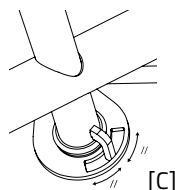
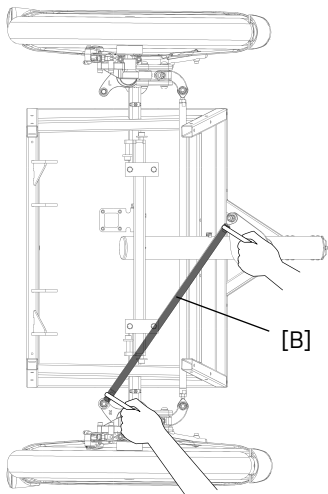
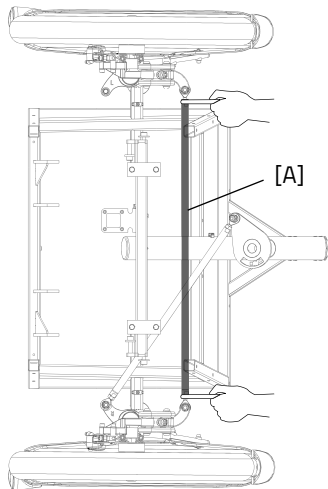
**Please note!** This is a nut with a left wire and a nut with a right wire.

2. Subsequently turn the steering shaft to adjust the tracking of the wheels. The wheels must be set parallel.
3. Tighten the nuts of the steering shaft again.

4. Loosen the two nuts of the steering shaft [B].

**Please note!** This is a nut with a left wire and a nut with a right wire.

5. Make sure the steering stop is in the middle of the steering plate [C].
6. Subsequently move the steering shaft to ensure that the wheels face straight ahead when the steering stop is in the middle of the steering plate.
7. Tighten the nuts of the steering shaft again.



8. Finally point the handlebar straight ahead. Make sure the wheels also face straight ahead at that moment.
9. Check whether the trishaw easily drives straight ahead on the tyres, without resistance and friction.

## **Disposal**

If you want to dispose your tricycle, contact your dealer. You can also contact the local waste disposal company. They will dispose the tricycle according to the regulations of your town.

## **Recycling the Battery**

If your battery is defective or if you are no longer using it, you must have it recycled. Please contact your dealer. They are responsible for complying with the recycling obligation. Ask them about the conditions or view the rules regarding recycling in your place of residence/country.

## **Handover/sale to a new owner**

When you hand over your trishaw to a new owner it is important that you also hand over all necessary technical documentation and spare keys, so that the new owner can use the trishaw safely.

## Guarantee

The guarantee is valid for all faults in the product, which are proven to be caused by material or manufacturing error.

We give a guarantee of five years on the frame and the front fork. For all accessories and other parts (except wear parts) we provide a two year guarantee, as legally regulated. The guarantee only applies for normal use and maintenance of the trishaw, as described in this manual.

### **Beware!**

The guarantee as well as the product liability in general expires if the instructions stated in this manual are not followed. This is also the case if unauthorized maintenance is carried out or if technical changes or additions are made with non-original Van Raam parts without permission of Van Raam. The original CE certification will become nul-and-void if modifications are done by third parties. The absence of the certification can lead to problems in insuring your bike, and for any loss or incurred.

## Frame number

The frame number is printed on the sticker. This sticker is located on the frame, see the image below.

Example sticker:



Position of sticker:



behind the seat tube

## Maintenance recommendation

A Van Raam bike often is subject to extensive use and must perform in all weather conditions. By correctly maintaining the bike, the lifecycle can be extended greatly. This maintenance can be done by a Van Raam dealer. In most cases, you can do the monthly and annual inspection yourself.

### Maintenance Overview:

What	One-person bike	Multi-person bike	Duration	By whom?
1 <sup>st</sup> service moment	3 months/300 km	3 months/200 km	15 min	Dealer
2 <sup>nd</sup> Service moment	6 months/1.000 km	6 months/500 km	15-30 min	Dealer
3 <sup>rd</sup> Service moment	12 months/2.000 km	12 months/1.000 km	30-90 min	Dealer
Monthly inspection*	Every month	Every month	15 min	User
Annual inspection*	Every 12 months	Every 12 months	60 min	User

\* This is advised to extend your bike's lifecycle. You can also have this done by your dealer.

#### Monthly inspection

15 minutes

Among them:

- Check and inflate the tyres
- Check the chain tension and grease if needed
- Tighten bolts/nuts where needed
- Check all lights
- Check the brakes
- Check all rotating parts and grease if needed
- Clean the bike

#### Annual inspection

60 minutes

Among them:

- Check and touch up the paintwork
- Check the wheels for any buckling
- Check the spoke tension
- Check the steering ball joints
- Check all lights
- Check the saddle clamp
- Check the placement of all electric components (E-Bikes only)



### **1<sup>st</sup> Service moment**

15-30 minutes

Among them:

- Check tyres and inflate
- Check the spoke tension
- Check the chain tension and grease
- Tighten any bolts and nuts if needed
- Check all brake cables and brake calipers
- Check the gears
- Check and grease all rotating parts
- Check all lights
- Clean the bike

### **2<sup>nd</sup> Service moment**

30-90 minutes

Among them: All points from service moment 1, and:

- Inspection of the pedals and bottom bracket
- Grease and tighten the lock
- Grease and tighten the steering stem
- Check the steering ball joints
- Run all tests in the dealer tool (E-Bike)

### **3<sup>rd</sup> Service moment**

60-120 minutes

Among them: All points from service moment 1, 2, and:

- Inspection of the paintwork
- Inspection of the frame/front fork
- Inspection of the seat cushions
- Inspect the functioning and sound of the motor/gear hub
- check reflectors for any damage
- Check all electric components on their placement (E-Bike)
- Run all tests in the dealer tool (E-Bike)

## Service plan

### 1<sup>st</sup> Service moment

- Yes/No
- Dealer:
- Mechanic:

Date:

Remarks:

.....

.....

.....

.....

### 2<sup>nd</sup> Service moment

- Yes/No
- Dealer:
- Mechanic:

Date:

Remarks:

.....

.....

.....

.....

### 3<sup>rd</sup> Service moment

- Yes/No
- Dealer:
- Mechanic:

Date:

Remarks:

.....

.....

.....

.....

## Annual inspection

Date	Dealer	Mechanic	Remarks







## Delivery and service form

Congratulations on your purchase of your Van Raam trishaw. This bike is produced with utmost care. To guarantee the quality as much as possible Van Raam produces the cycles according to the ISO 9001:2015 quality standards. Van Raam has been certified by DNV GL Business Assurance B.V.

You will especially enjoy your Van Raam bike when the bike is adjusted to your specifications and when the instructions in the user manual are followed. Pay special attention on the service intervals who specified in the manual of the bike.

To claim warranty and service you should always fill out this form, at least at delivery and service. This signed form declares that the end user had an instruction on the operation of the trishaw, that the trishaw is adjusted to the specifications of the end user and that the user manual is received.

### Fill out when the trishaw is delivered

Type Van Raam trishaw:	
Frame number:	
Key number:	
Delivered to:	
By dealer:	
Place:	
Date:	
Signature user bike:	Signature dealer:
When available, stamp dealer:	