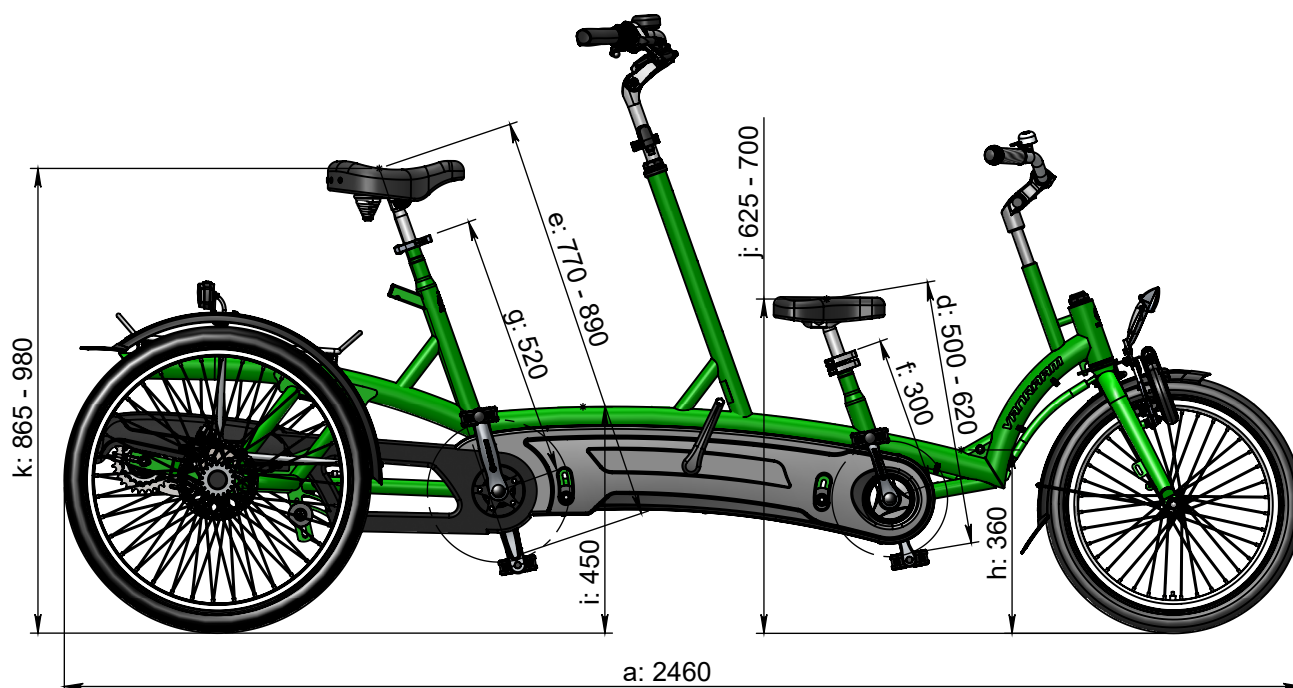
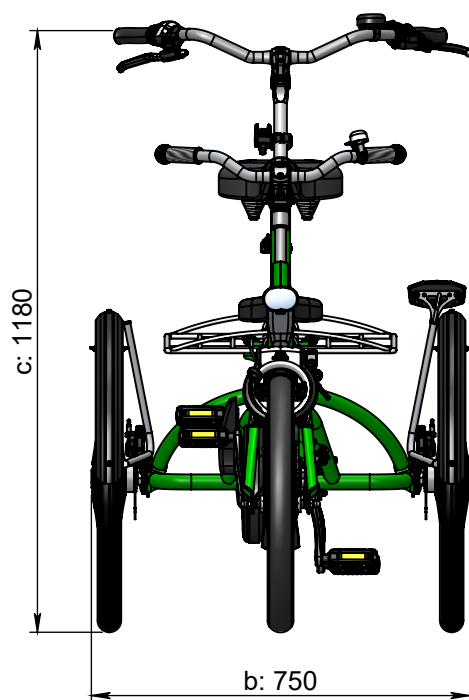




vanraam®  
Let's all cycle



turning circle = 5,1 m

**Standard frame size**

a = maximum length 2460 mm

b = maximum width 750 mm

c = height 1180 mm

d = inseam child 500 mm - 620 mm

(520 mm - 680 mm for backrest option)

e = inseam driver 770 mm - 890 mm

f = frame height child 300 mm

g = frame height driver 520 mm

h = standover height child 360 mm

i = standover height driver 450 mm

j = seat height child 625 mm - 700 mm

k = seat height driver 865 mm - 980 mm

**Frame size**

**Frontside 39 cm, Backside 52 cm**

d = inseam 590 mm - 710 mm

f = frameheight 390 mm

j = seat height 715 mm - 790 mm

**Frame size**

**Frontside 26 cm, Backside 52 cm**

d = inseam 460 mm - 580 mm

f = frameheight 260 mm

j = seat height 585 mm - 660 mm

**Frame size**

**Frontside 30 cm, Backside 61 cm**

e = inseam 860 mm - 980 mm

g = frameheight 610 mm

k = seat height 955 mm - 1070 mm

**Frame size**

**Frontside 30 cm, Backside 43 cm**

e = inseam 680 mm - 800 mm

g = frameheight 430 mm

k = seat height 775 mm - 890 mm