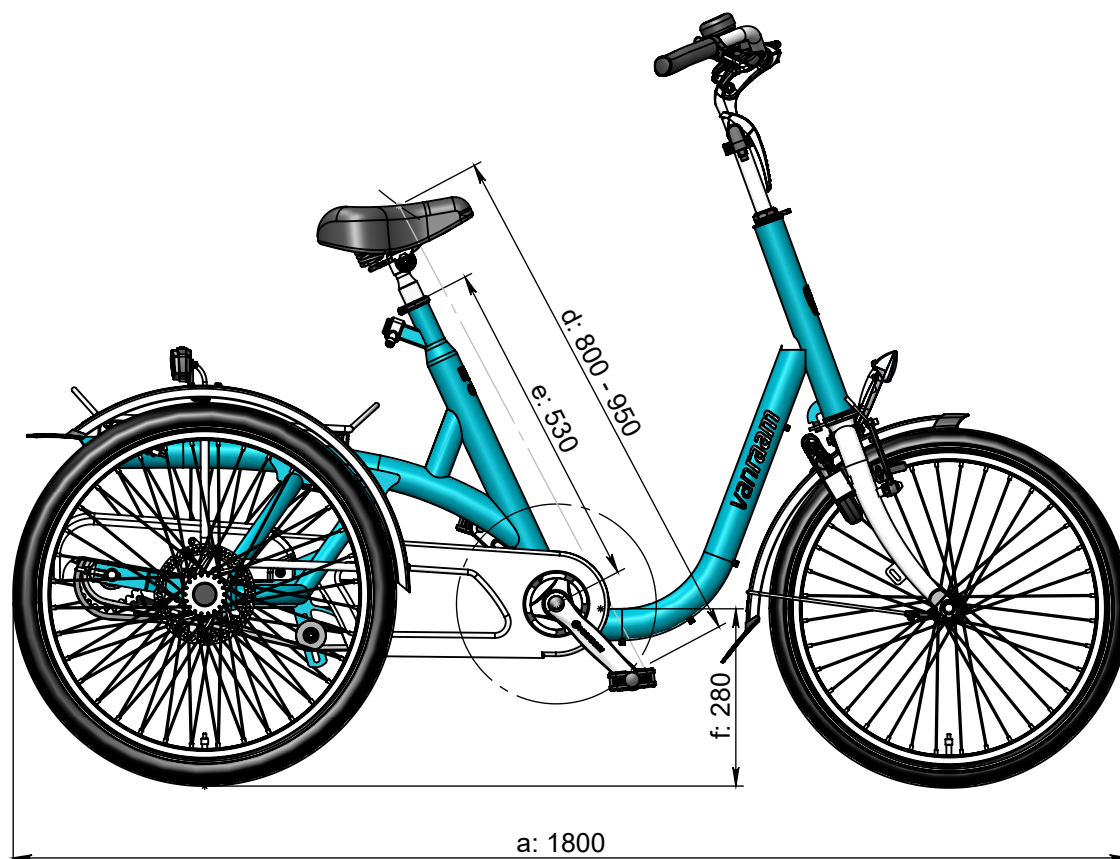
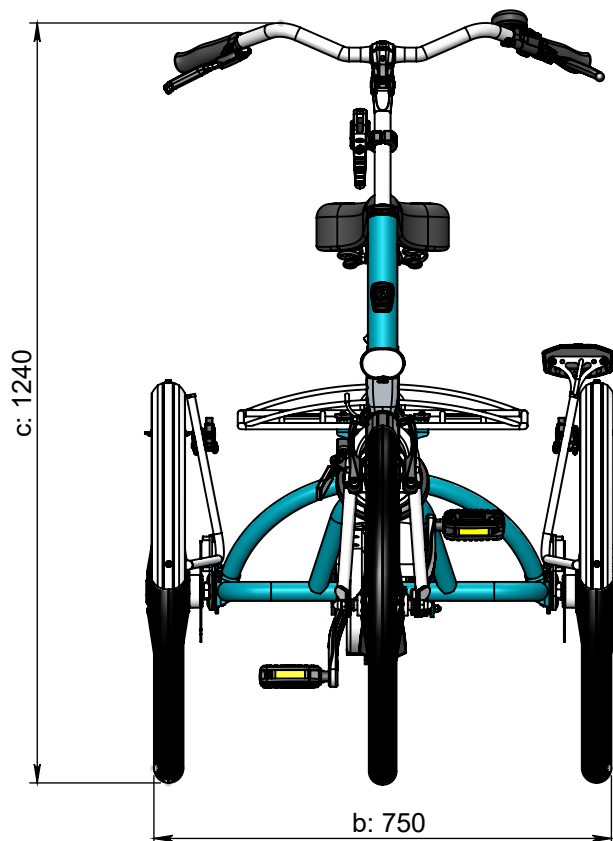




vanraam®  
Let's all cycle



turning circle = 2,9 m

**Standard frame size (530 mm)**

a = maximum length 1800 mm  
b = maximum width 750 mm  
c = height 1240 mm  
d = inseam 800 mm - 950 mm  
e = frame height 530 mm  
f = standover height 280 mm

**Frame Size (440 mm)**

a = maximum length 1800 mm  
b = maximum width 750 mm  
c = height 1240 mm  
d = inseam 710 mm - 860 mm  
e = frame height 440 mm  
f = standover height 280 mm

**Frame Size (620 mm)**

a = maximum length 1800 mm  
b = maximum width 750 mm  
c = height 1240 mm  
d = inseam 890 mm - 1040 mm  
e = frame height 620 mm  
f = standover height 280 mm